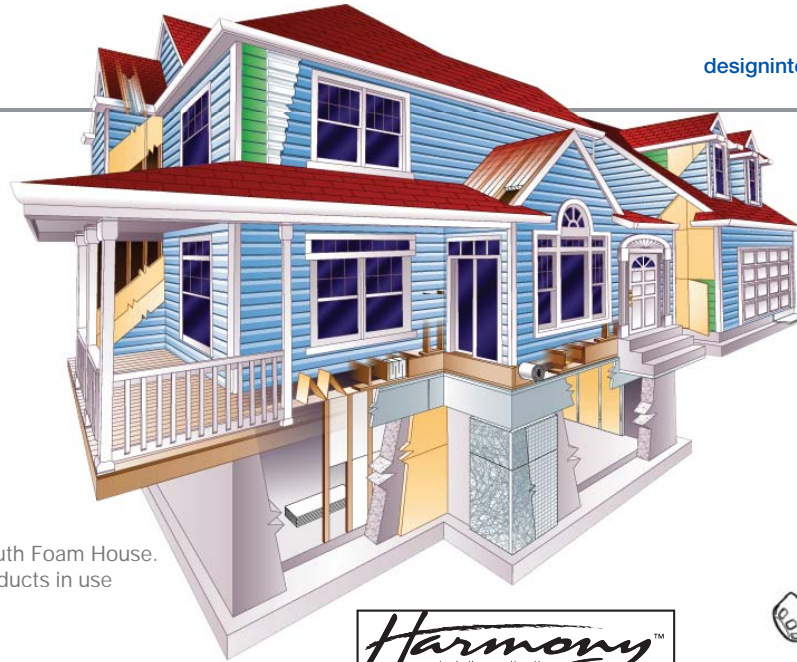


Illustration

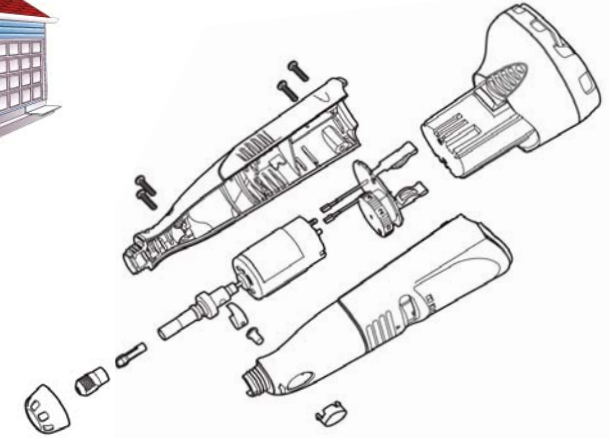
1921 Lathrop Avenue
Racine, WI
262-631-5900
designinterchange.com

Designinterchange

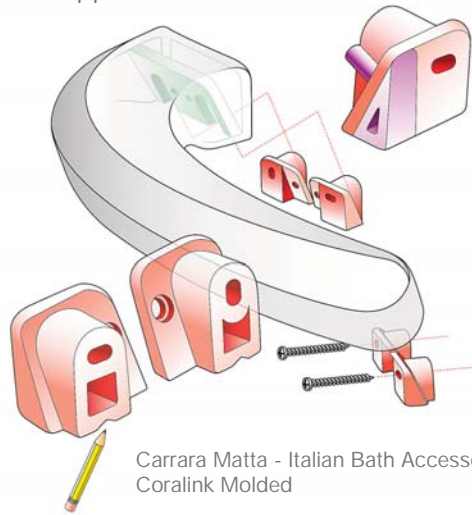
Create custom images of existing product details or conceptual items before they exist. Make instructions clear with carefully designed graphics that tell the whole story without words. Custom line art and illustration give you the perfect angle on any product application.



Plymouth Foam House.
All Products in use

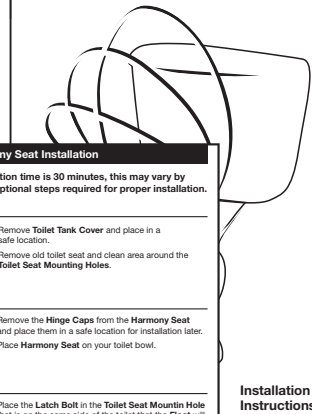


Dremel - Hand Tool Exploded View



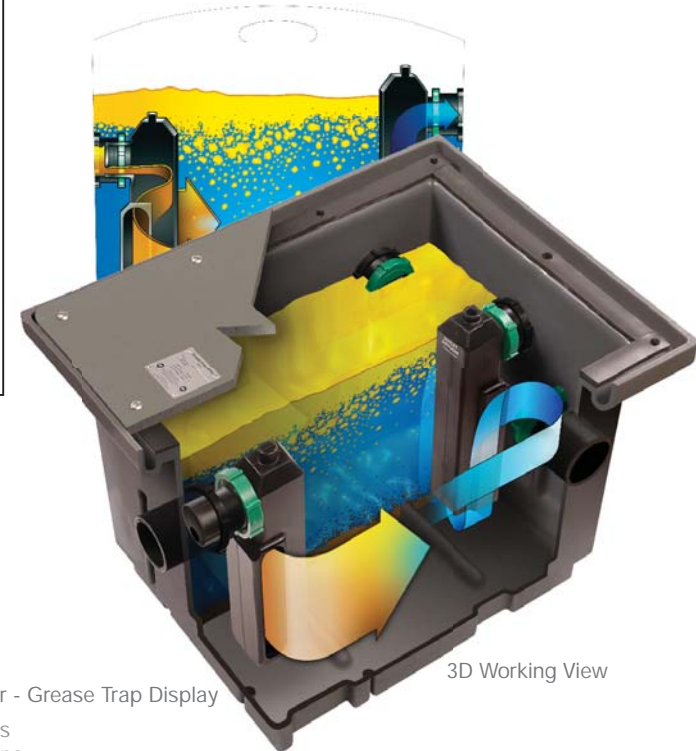
Carrara Matta - Italian Bath Accessories, High Luster / Coralink Molded

Bemis - Harmony Toilet Seat Instructions



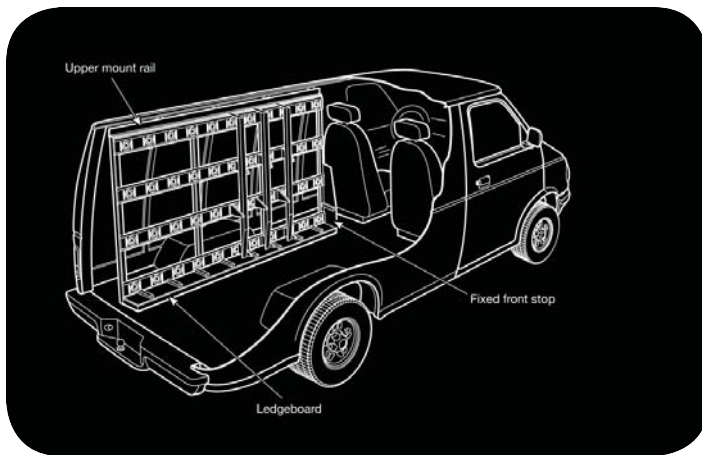
- Harmony Seat Installation**
- Approximate installation time is 30 minutes, this may vary by model of toilet and optional steps required for proper installation.
- 1.1 Remove Toilet Tank Cover and place in a safe location.
 - 1.2 Remove old toilet seat and clean area around the Toilet Seat Mounting Holes.
 - 1.4 Remove the Hinge Caps from the Harmony Seat and place them in a safe location for installation later.
 - 1.5 Place Harmony Seat on your toilet bowl.
 - 1.6 Place the Latch Bolt in the Toilet Seat Mounting Hole that is on the same side of the toilet that the Float will be placed (from Pre-Installation Checklist). Align Flat Edge of Chrome Disc so it fits snugly in the Hinge.
 - 1.7 Hold Latch Nut and carefully begin tightening the Latch Nut by hand. Use caution, fine thread can strip if not aligned properly. Do not fully tighten.
 - 1.8 Install HexTitle Bolt in the second Toilet Seat Mounting Hole. Holding the Wing Nut steady, use a screwdriver to turn the nut onto the bolt. As the Wing Nut moves "up" the bolt, the "Wing" will catch the edge of the china and hold itself in place while you tighten the bolt. Do not fully tighten.
 - 1.9 Align the Toilet Seat with the toilet bowl for proper appearance.
 - 1.10 Finger tighten the Latch Nut snugly. Confirm that the Chrome Disc stays secure in the hinge base. (Latch Bolt may need to be adjusted so do not fully tighten until after the "Test and Confirm" section)
 - 1.11 Holding the seat in proper alignment to the bowl, fully tighten the HexTitle Bolt with a screwdriver.

Installation Instructions



Schier - Grease Trap Display

3D Working View



Barlow - Glass Rack Mounting